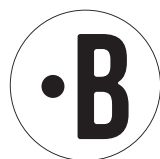
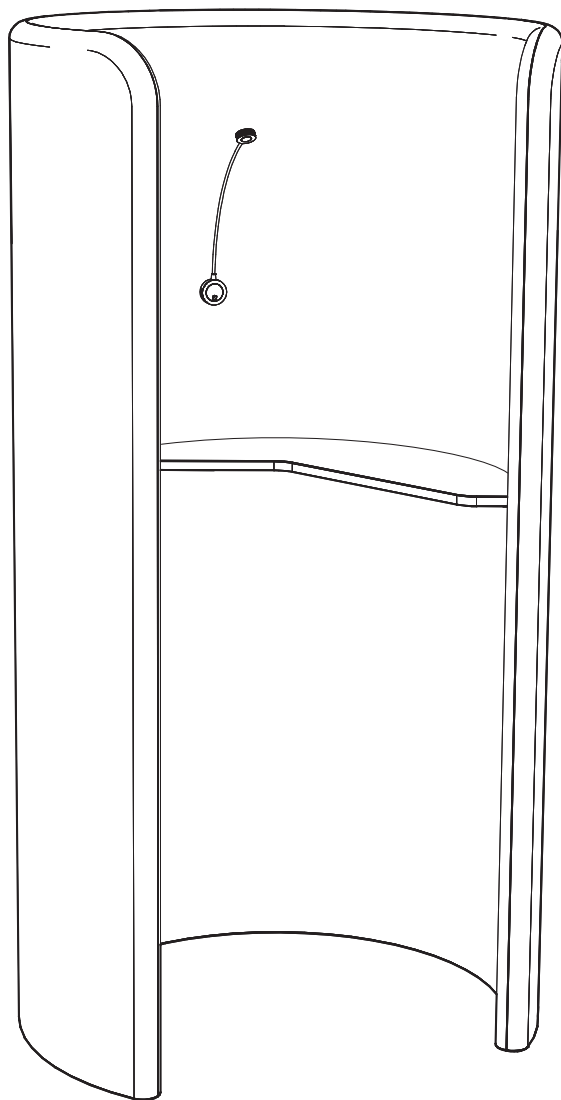
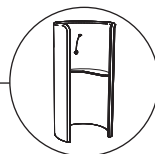


BuzziHug

INSTALLATION MANUAL



BuzziHug



1 PERS.

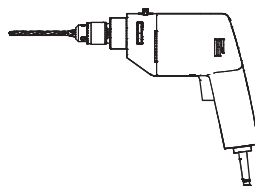
Excluded



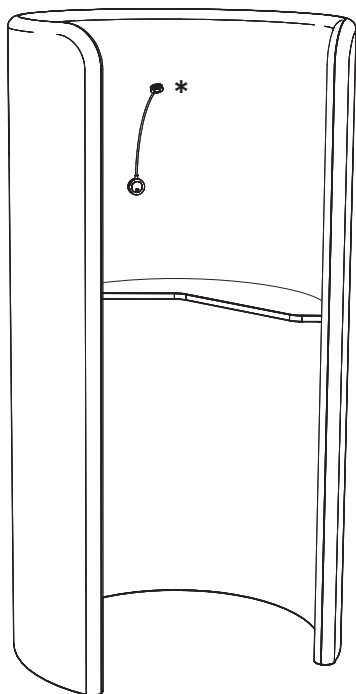
2x



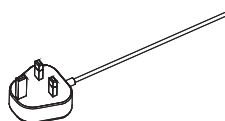
2x



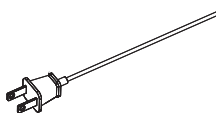
Included



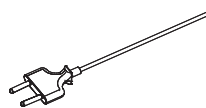
UK



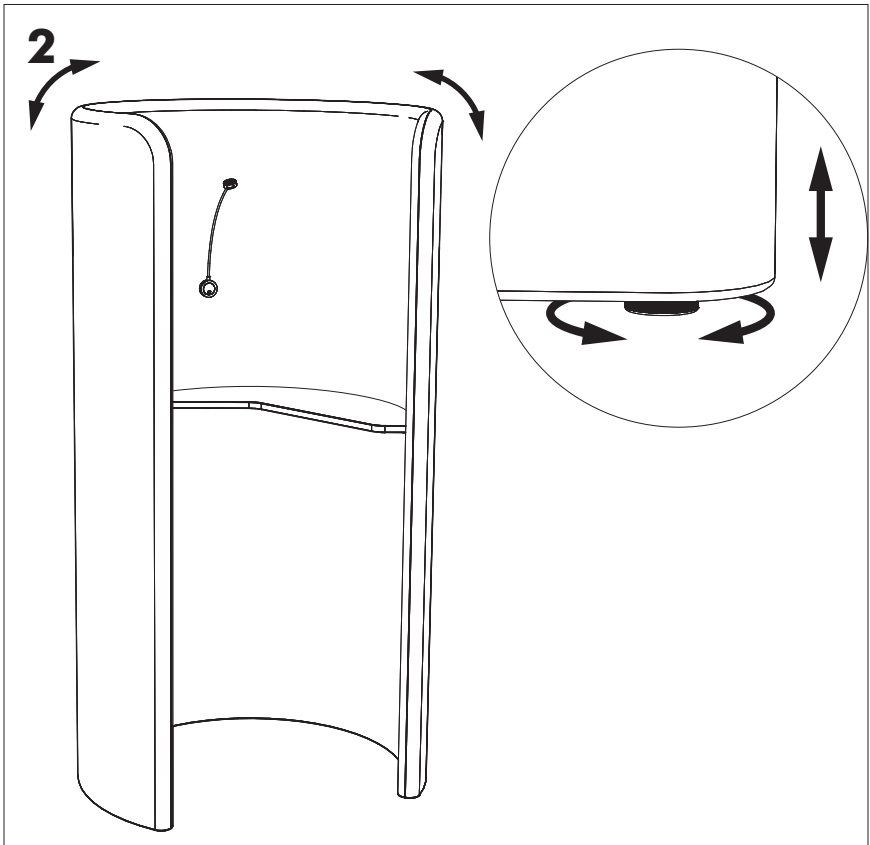
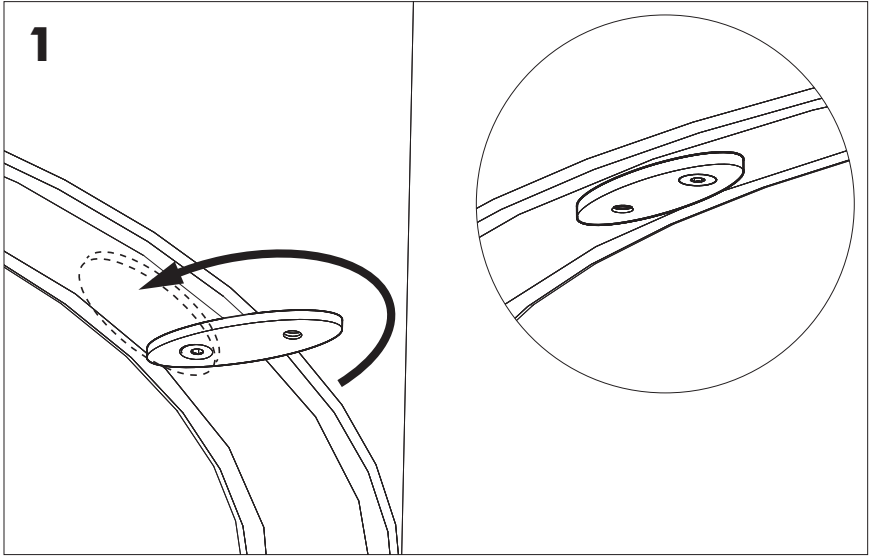
US



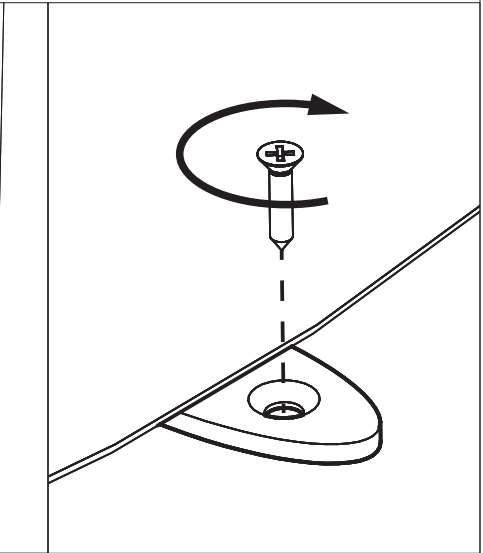
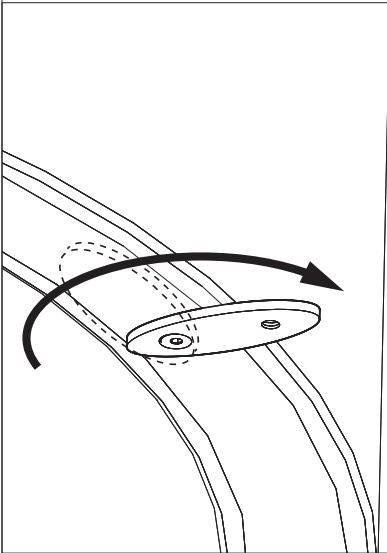
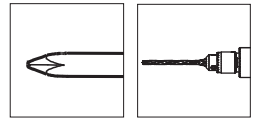
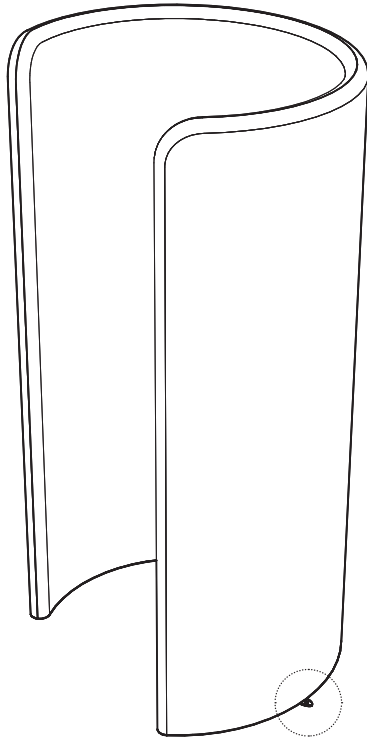
EU



*Optional LED Light

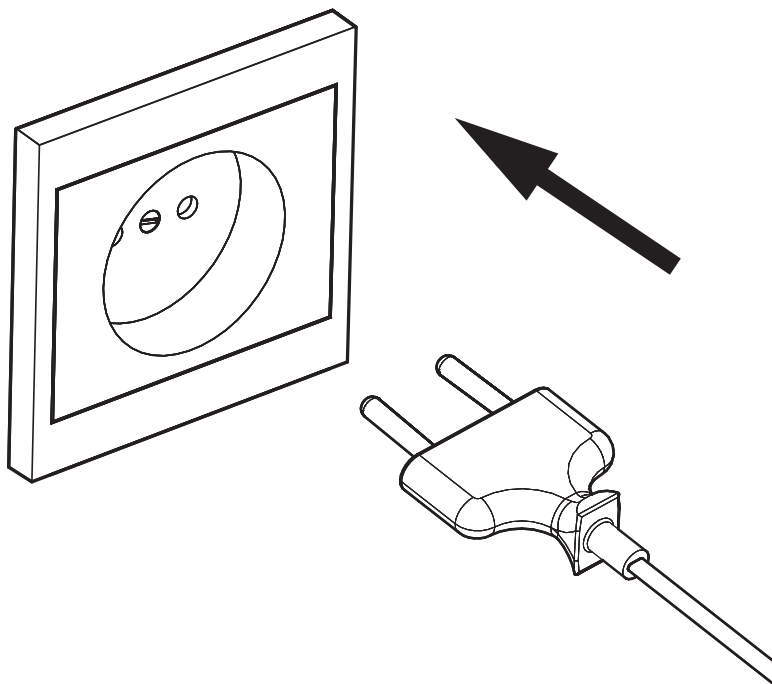


! Optional Step

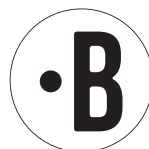


Optional LED Light

3



BuzziSpace
Groeningenlei 141
2550 Antwerp, Kontich
Belgium
☎ +32 (0)3 846 10 00
✉ info@buzzi.space
🌐 www.buzzi.space



Doc nr.: A-0000011501/02
Last update: 04/05/2023