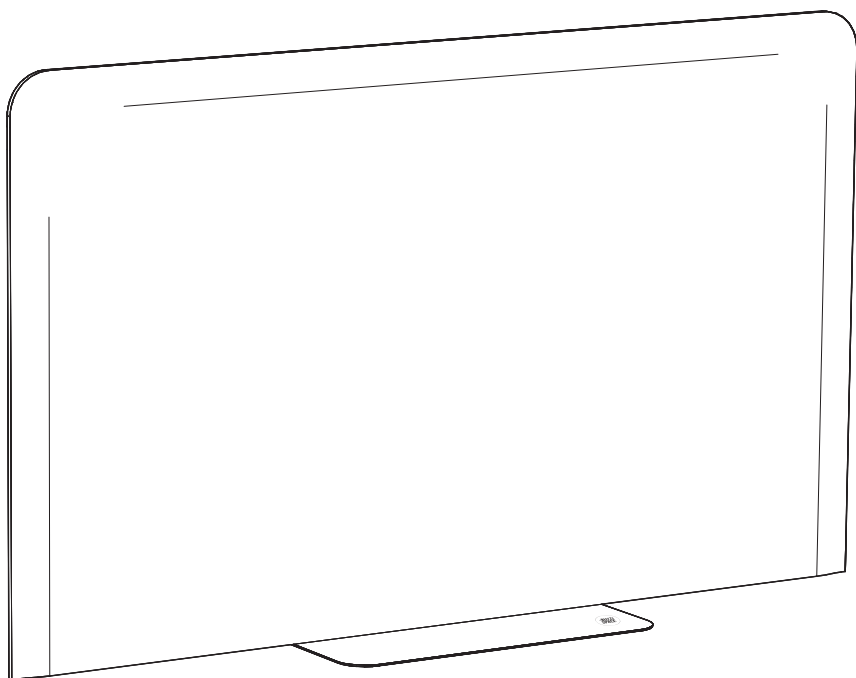
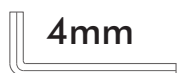


BuzziFree

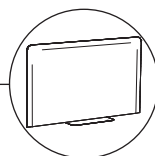
INSTALLATION MANUAL



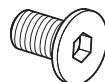
Excl.



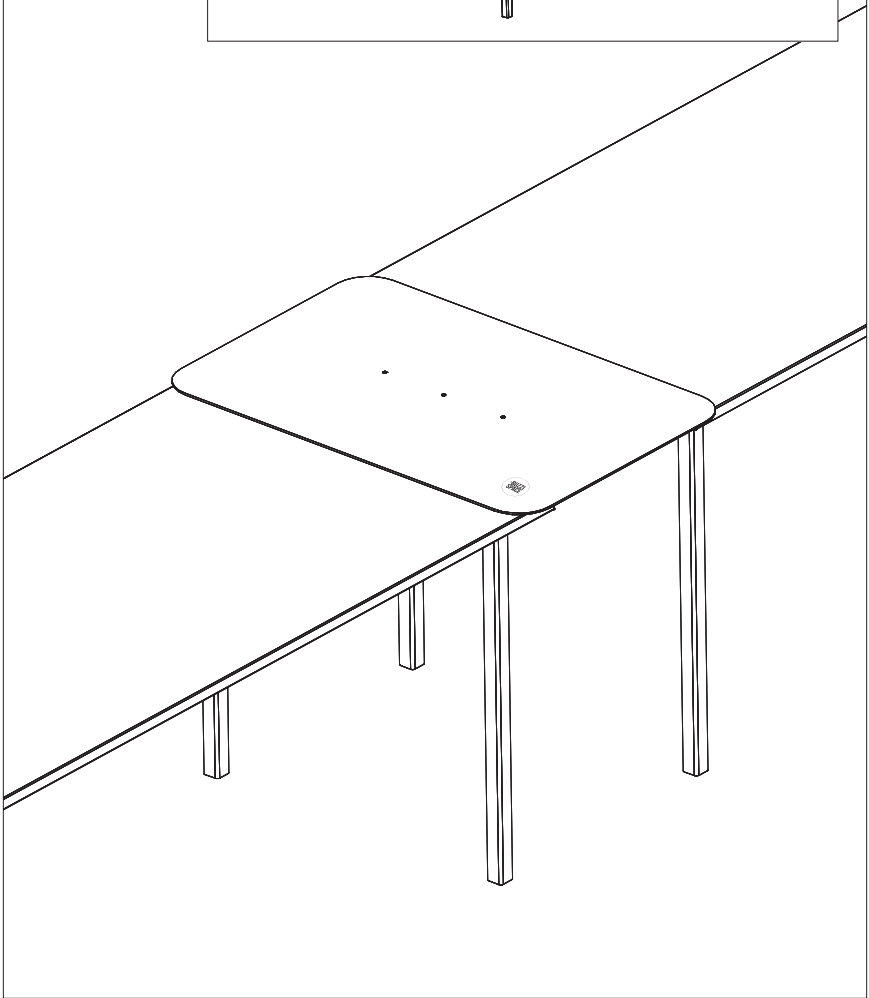
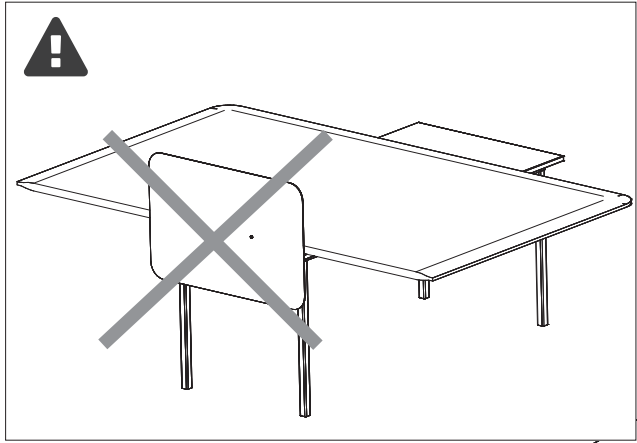
Incl. BuzziFree



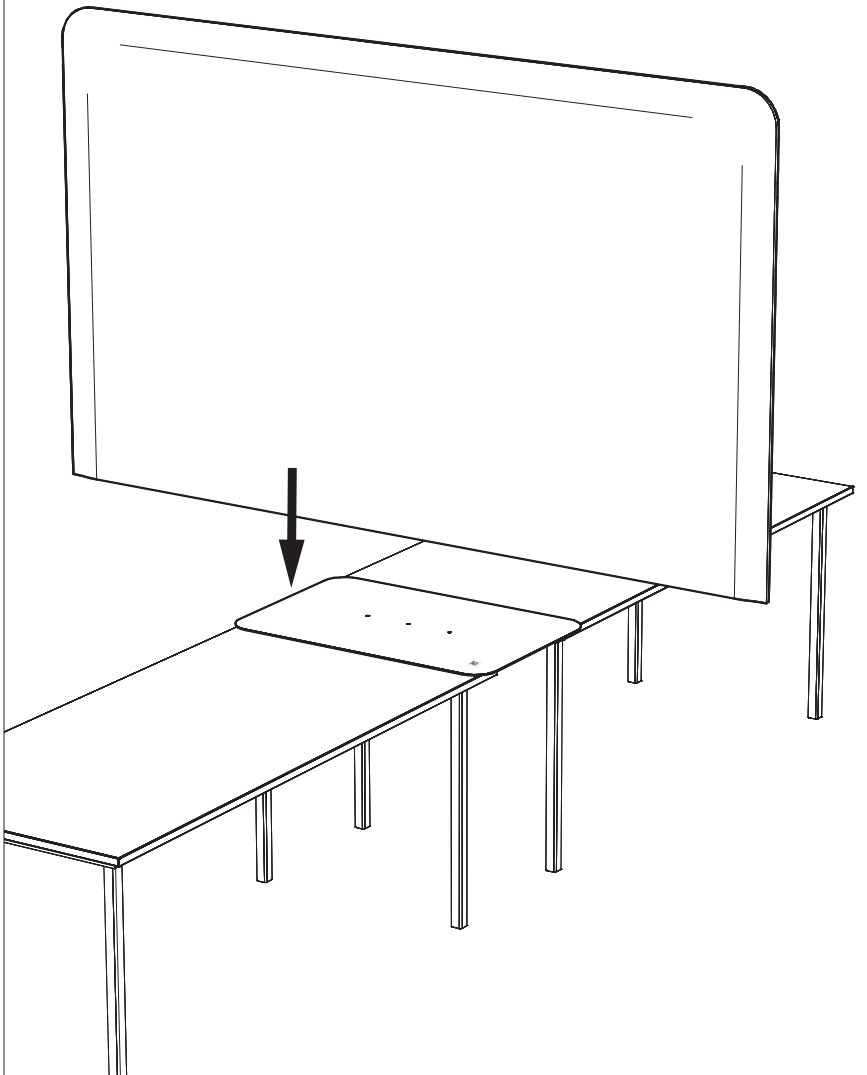
3x



1

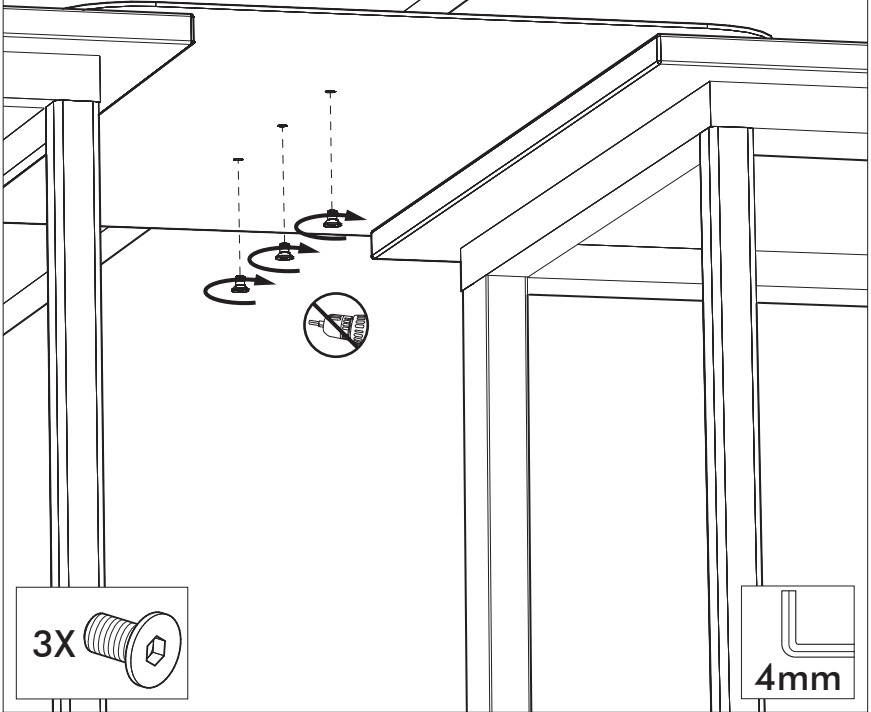
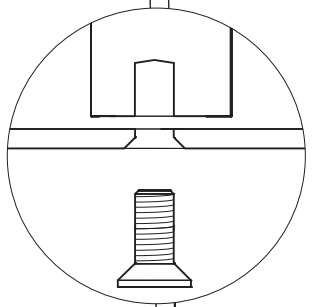


2

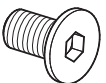


4

3

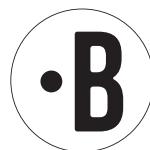


3X



4mm

BuzziSpace
Groeningenlei 141
2550 Antwerp, Kontich
Belgium
☎ +32 (0)3 846 10 00
✉ info@buzzi.space
🌐 www.buzzi.space



Doc nr.: A-0000001699
Last update: 09/12/2016