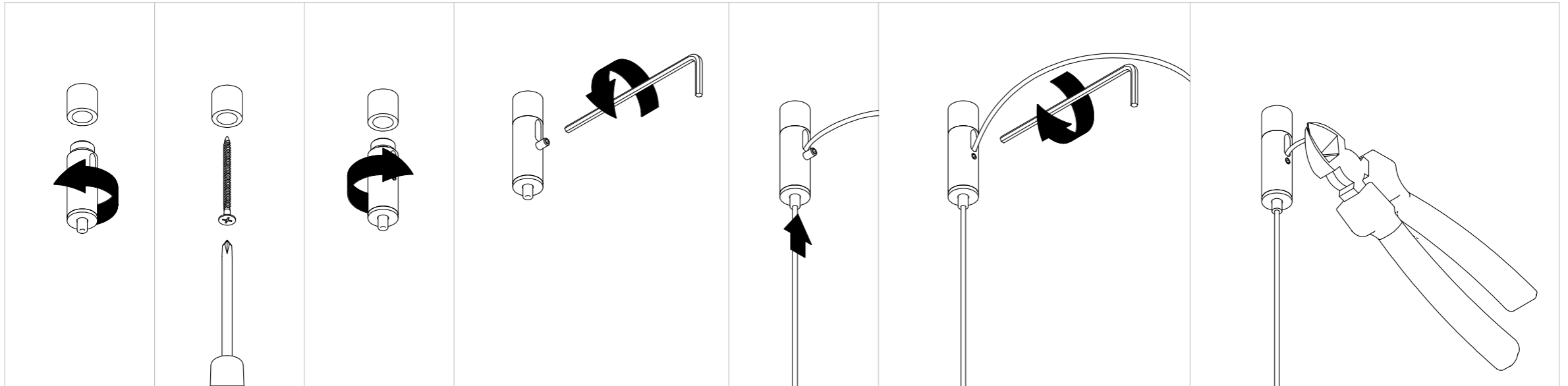
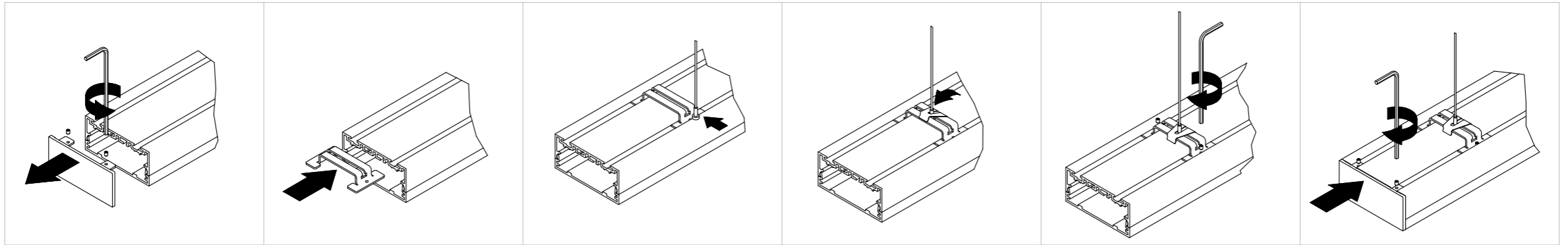
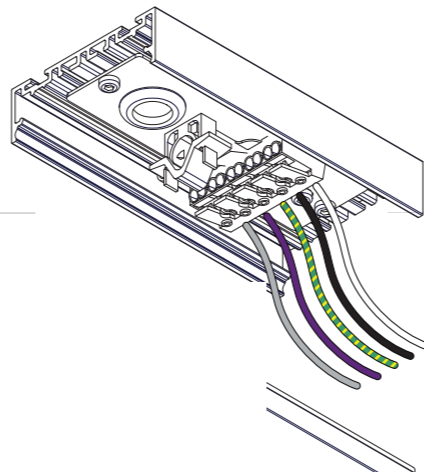
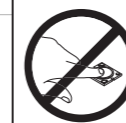
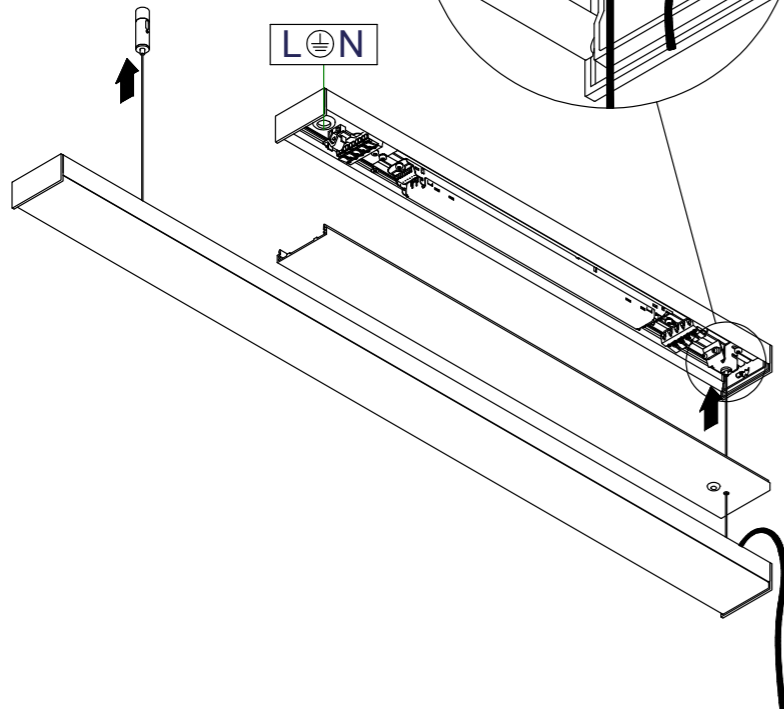
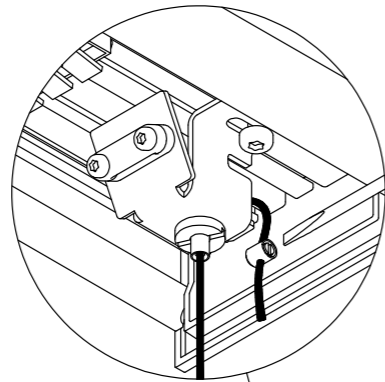
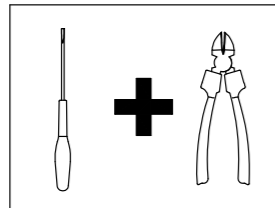
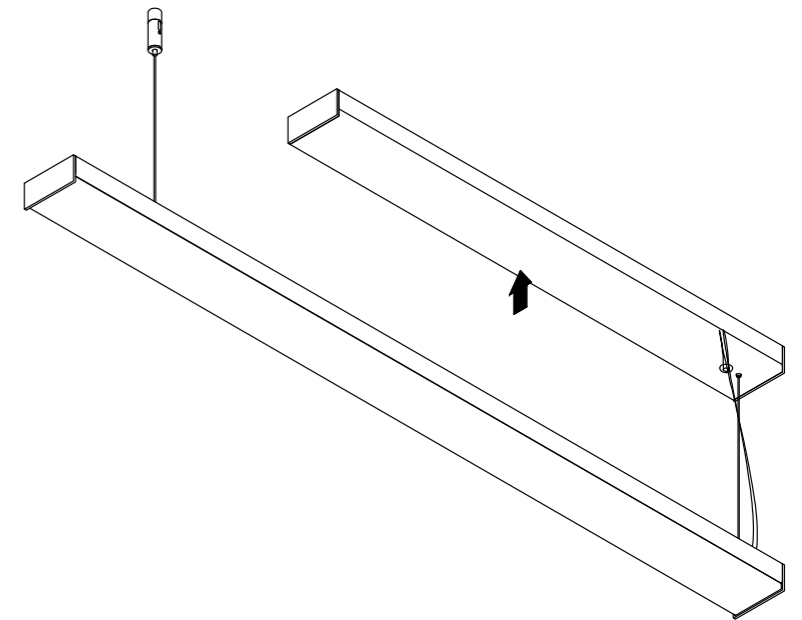
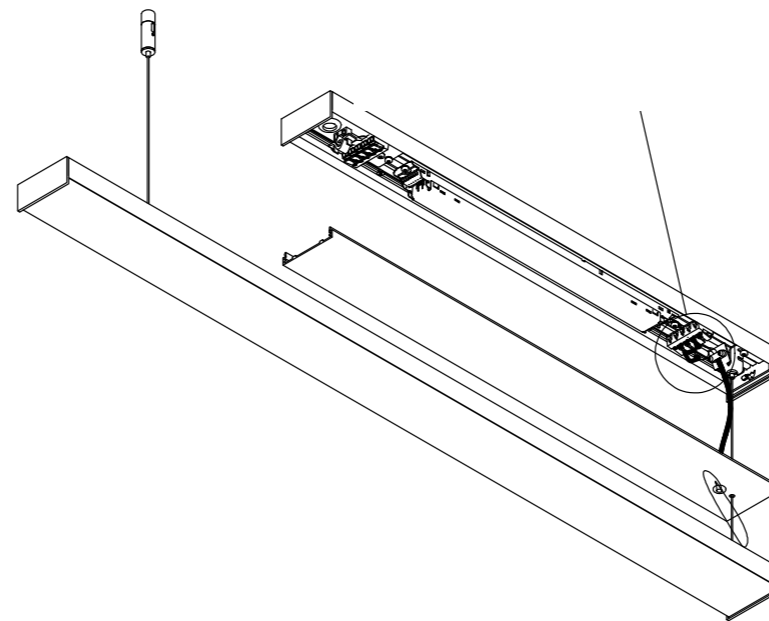


BuzziZepp LED US
Instruction for LED line





- | | | |
|----|-------------|-----------------------------|
| N | NEUTRAL | WHITE
BLANC |
| L1 | CIRCUIT 01 | BLACK
NOIR |
| | GROUND | YELLOW/GREEN
JAUNE/VERT |
| 2 | 0-10V DIM + | PURPLE (optional)
VIOLET |
| 3 | 0-10V DIM - | GREY (optional)
GRIS |



LIGHT SOURCE - DO NOT TOUCH LED

Touching the LED can result in permanent damage of the light source. The light source contained in this luminaire shall only be replaced by the manufacturer or his service agent or a similar qualified person.



PREVENTING ELECTROSTATIC DAMAGE

A discharge of static electricity may damage sensitive components. Always be properly grounded when touching leads or circuitry inside the luminaire. Use a wrist strap connected by a ground cord to the housing. Avoid touching the light sources with bare hands.

