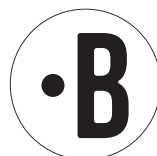
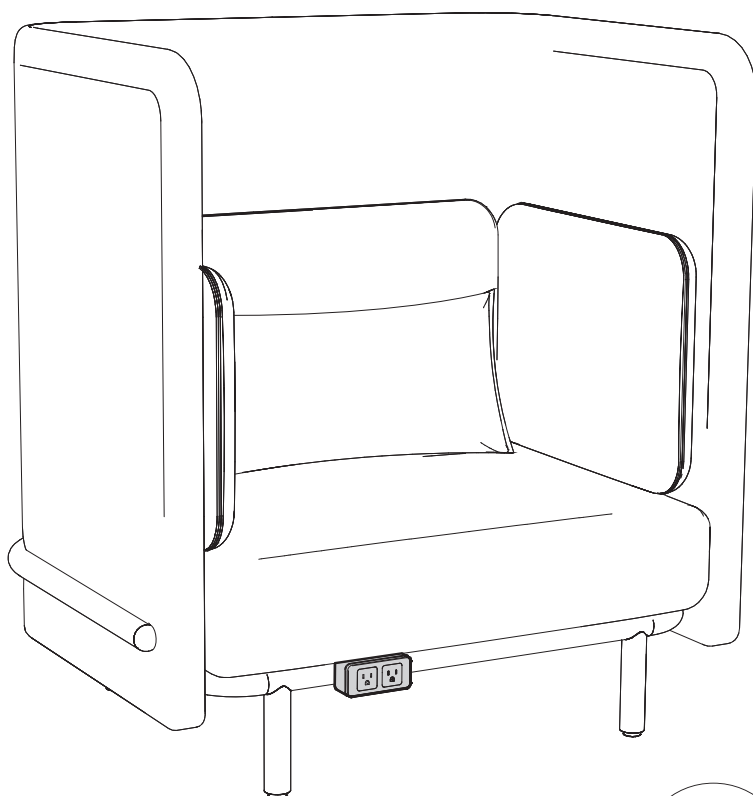


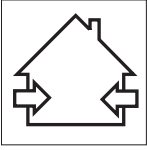
BuzziSpark

Electrification Unit 110V - 120V

INSTALLATION MANUAL



Technical info

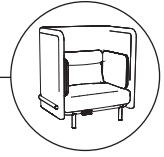


US

Article reference: P0179-ELEC.04
1 x Socket outlet: 250Vac / 15A
Type A NEMA (US)
2 x USB outlet: USB-connector Type A
Max. combined output 2.1A, 5V DC (10.5VA)
Cable: Length 118" - black
Cable type AWG14
Plug type A – 13A
Certification: UL/CSA for socket outlet
Color: Black
Dimensions front: 137 x 63 mm

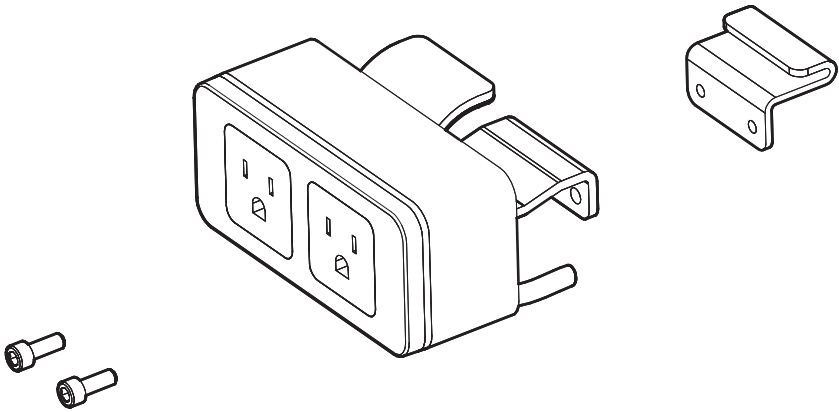
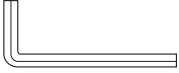
Article reference: P0179-ELEC.05
2 x Socket outlet: 250Vac / 15A
Type A NEMA (US)
Cable: Length 118" - black
Cable type AWG14
Plug type A – 13A
Certification: UL/CSA for socket outlet
Color: Black
Dimensions front: 137 x 63 mm

BuzziSpark Electrification Unit US

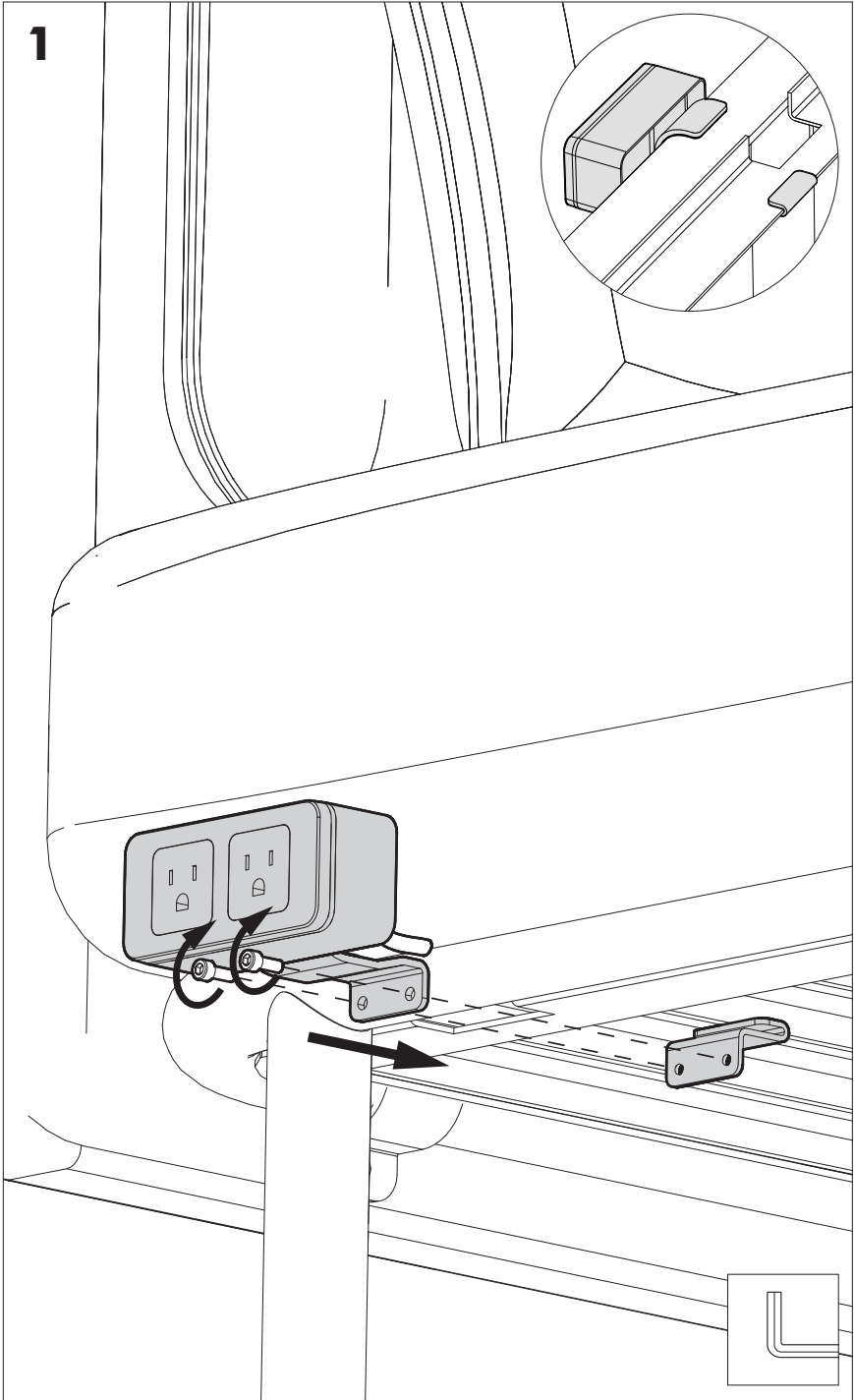


1 PERS. 

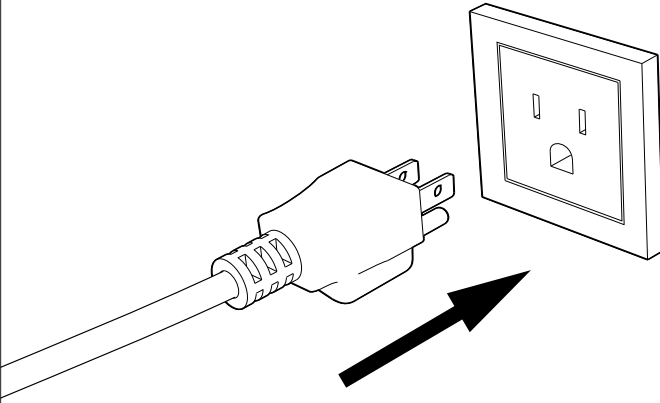
Included



1



2



BuzziSpace
Groeningenlei 141
2550 Antwerp, Kontich
Belgium
☎ +32 (0)3 846 10 00
✉ info@buzzi.space
🌐 www.buzzi.space



Doc nr.: A-0000006458
Last update: 16/05/2019