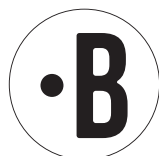
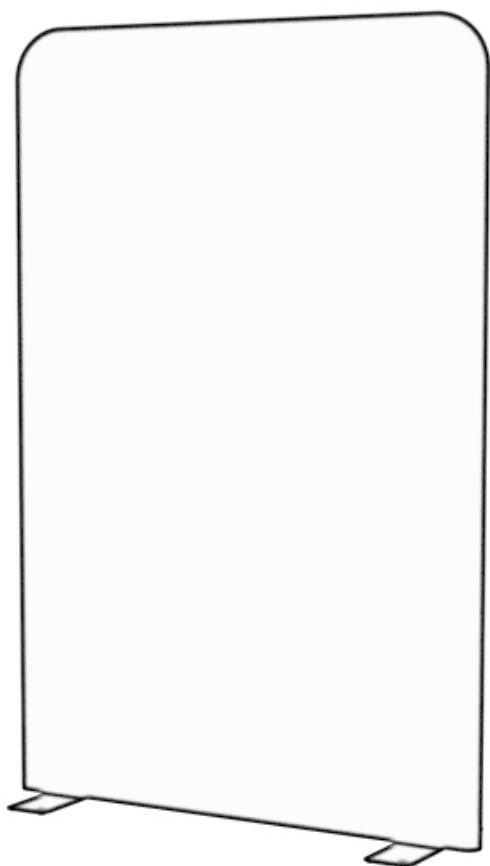
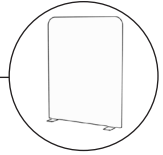


# BuzziShield Free

INSTALLATION MANUAL



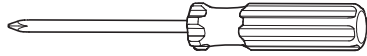
# BuzziShield Free



1 PERS. 

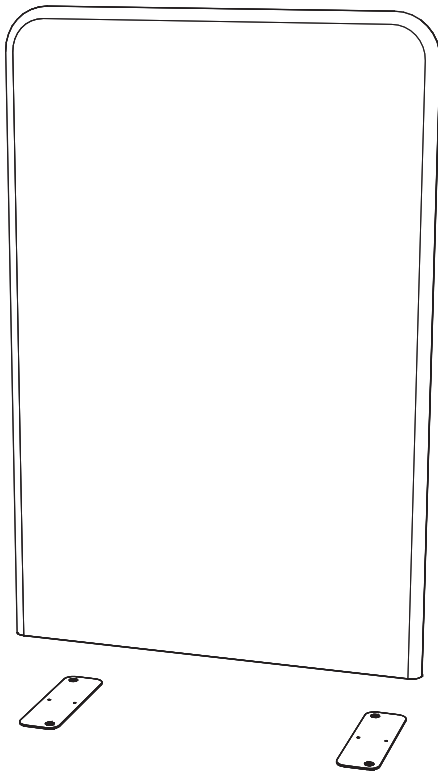
## Excluded

---

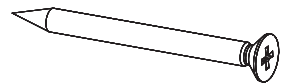


## Included

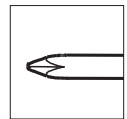
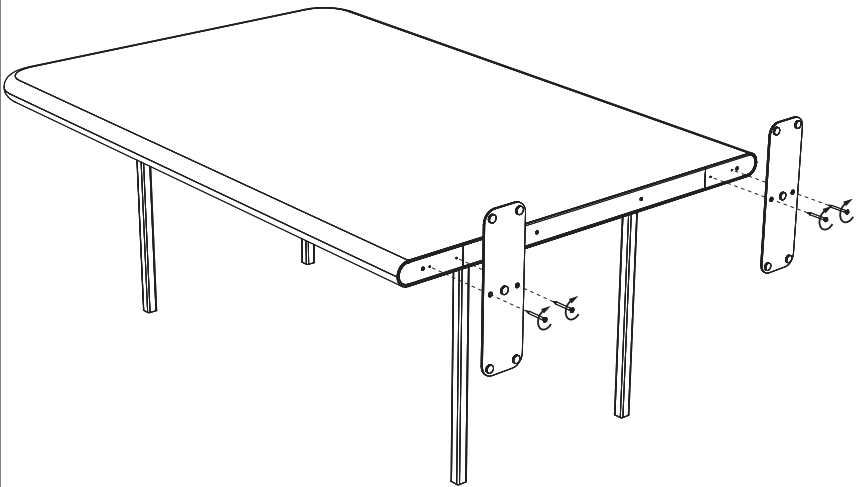
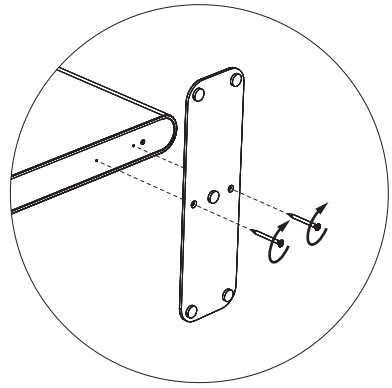
---



4x



1



**BuzziSpace**  
Groeningenlei 141  
2550 Antwerp, Kontich  
Belgium  
☎ +32 (0)3 846 10 00  
✉ [info@buzzi.space](mailto:info@buzzi.space)  
🌐 [www.buzzi.space](http://www.buzzi.space)



Doc nr.: A-0000010511  
Last update: 24/02/2021